

Mi48 Datasheet

General Description

The **Mi48** is a 3 way passive speaker, designed and manufactured in France. Equipped with transducers from leading European manufacturers, and crafted in high quality birch plywood with exposed edges, it offers a clean modern aesthetic that blends seamlessly into any space.

It features four bass-reflex loaded 8" woofers, four 5" drivers and a 1" compression driver loaded on a 60° x 60° horn.

Features

- Durable - high quality birch plywood enclosure
- High quality components
- 139 dB Max SPL
- 100 Hz – 20 kHz Frequency Range

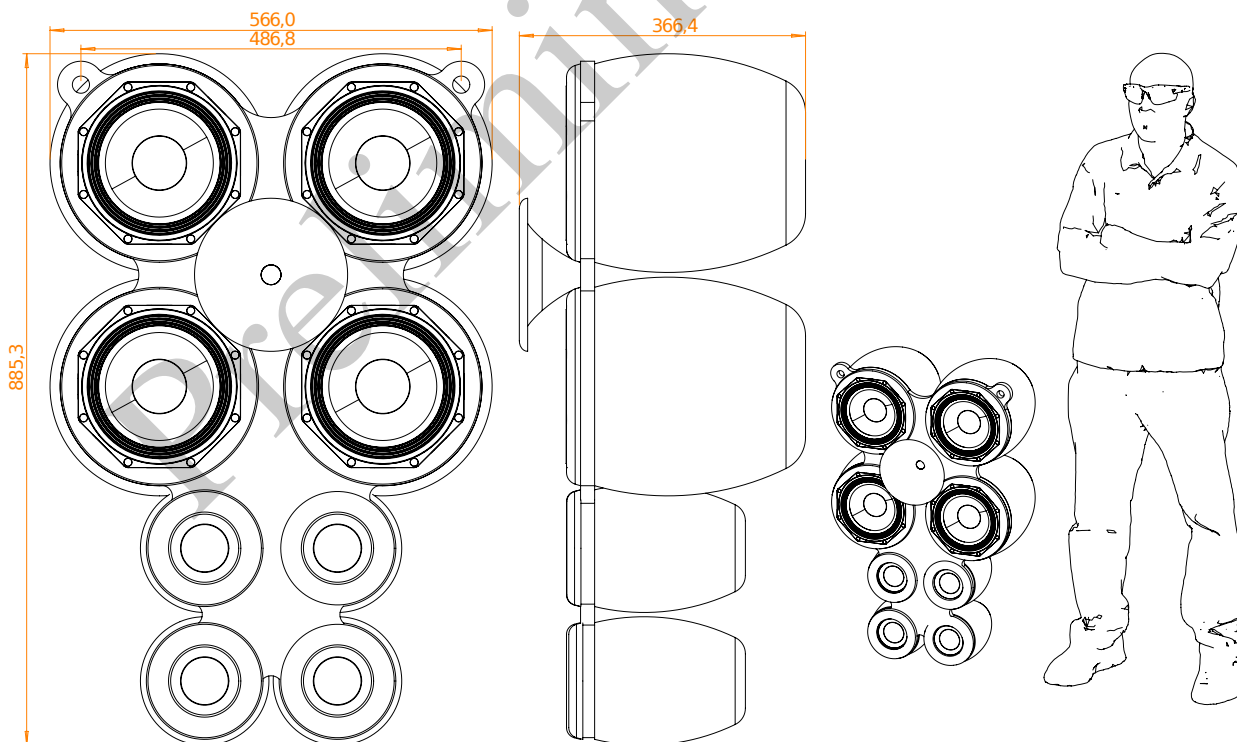
Applications

- Hotels & Resorts
- Restaurants & Cafes
- Residential



TECHNICAL SPECIFICATIONS

| | | |
|----------------------------------|---|--|
| Acoustical specifications | Frequency Response (-6 dB) | 100 Hz - 20kHz |
| | Max SPL @ 1m ¹ | 127 dB nominal, 139 dB peak |
| | Horizontal coverage angle @ 10kHz (-6 dB) | 60° |
| | Vertical coverage angle @ 10kHz (-6 dB) | 60° |
| | Recommended High-Pass Filter | Hz BW4 |
| Electrical specifications | Nominal Impedance | 8Ω |
| | AES power handling | 1050 W |
| | Connectors | In&Out: SpeakON® NL4 on request |
| Transducers | LF | 4 × 8" bass-reflex loaded drivers |
| | MF | 4 × 5" mid drivers |
| | HF | 1 × 1" compression driver |
| Physical specifications | Rigging | 2x15mm suspension points for lifting 1x15mm suspension points for tilting suitable for lifting shackle |
| | Weight (net) | — |
| | Height × Width × Depth | 885 × 566 × 366mm |
| | Cabinet | Baltic birch wood |
| | Finish | Varnished or Finished polyurethane paint |



¹Nominal and peak level at 1 meter under 2π conditions using pink noise with crest factor 4. Data from FEA simulation.