

# Mi28 Datasheet

---

## General Description

The **Mi28** is a 3 way passive speaker, designed and manufactured in France. Equipped with transducers from leading European manufacturers, and crafted in high quality birch plywood with exposed edges, it offers a clean modern aesthetic that blends seamlessly into any space.

It features two bass-reflex loaded 8" woofers, two 5" drivers and a 1" compression driver loaded on a 60° x 60° horn.

## Features

- Durable - high quality birch plywood enclosure
- High quality components
- 136 dB Max SPL
- 100 Hz – 20 kHz Frequency Range

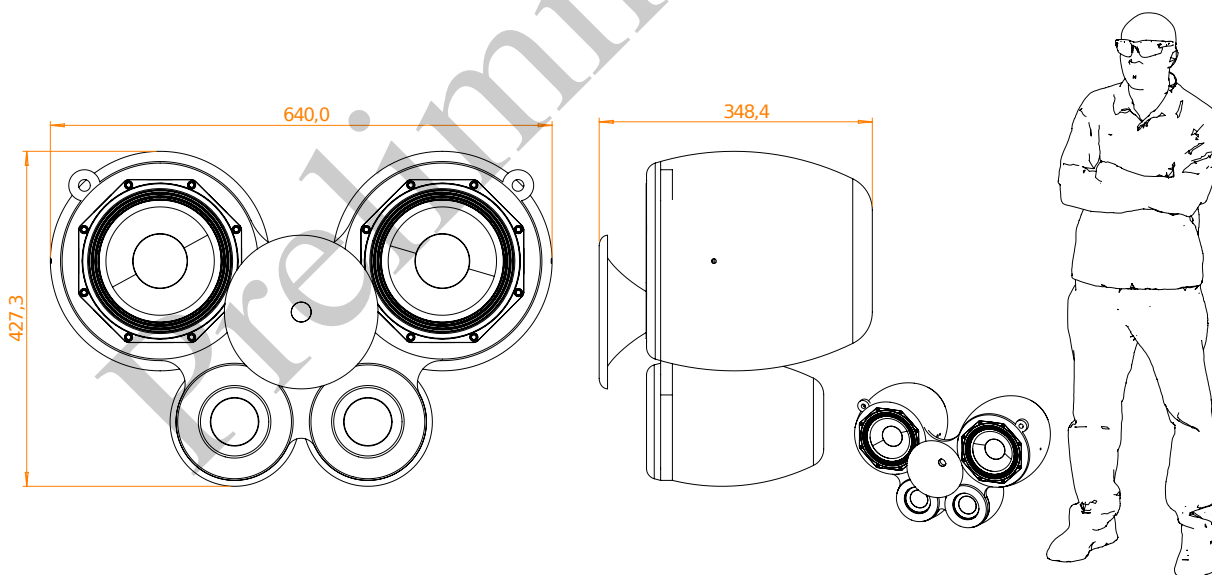
## Applications

- Hotels & Resorts
- Restaurants & Cafes
- Residential



## TECHNICAL SPECIFICATIONS

<b>Acoustical specifications</b>	Frequency Response (-6 dB)	100 Hz - 20kHz
	Max SPL @ 1m <sup>1</sup>	124 dB nominal, 136 dB peak
	Horizontal coverage angle @ 10kHz (-6 dB)	60°
	Vertical coverage angle @ 10kHz (-6 dB)	60°
	Recommended High-Pass Filter	— Hz BW4
<b>Electrical specifications</b>	Nominal Impedance	4Ω
	AES power handling	550 W
	Connectors	In&Out: SpeakON® NL4 on request
<b>Transducers</b>	LF	2 × 8" bass-reflex loaded drivers
	MF	2 × 5" m drivers
	HF	1 × 1" Compression driver
<b>Physical specifications</b>	Rigging	2x15mm suspension points for lifting 1x15mm suspension points for tilting suitable for lifting shackle
	Handling	—
	Weight (net)	—
	Height × Width × Depth	427.3 × 640 × 348.4 mm
	Cabinet	Baltic birch wood
	Finish	Varnished or Finished polyurethane paint



<sup>1</sup>Nominal and peak level at 1 meter under  $2\pi$  conditions using pink noise with crest factor 4. Data from FEA simulation.