

ZoneController



HORTUS

AUDIO®



The ZoneController gives you the freedom to control your system from every corner of the room – easily configured with any Hortus IP series

KEY FEATURES

- **Connect up to 8 x ZoneControllers** per Hortus IP series (DSP) amplifier, and configure exactly as you need in the amp's ZoneControl web app.
- **Smart PoE technology** means straight-forward network pairing, change settings across the system and makes it simple to assign any of the sound zones.
- **The ZoneController has a clear and intuitive menu**, so setting-up and configuring the system is easy. But that also means it's easy to hand over to the venue and explain the usability.
- **Change source in a few clicks**, increase and decrease volume with the simple tactile button. There is a minimum/maximum setting so the volume can be customised and managed for each location.
- **Easy 4-digit PIN code protection** with access settings for a secure install. This code can be required for advanced menu settings, only to edit source & volume - or total settings lock.
- **With customisable settings for each controller** - you can change the colour of the on-screen menu, as well as the screen & control button backlight strength.
- **Real-time device syncing** with the system means any actions on one ZoneController are instantly shown on the others, as well as reflected in the amplifiers ZoneControl web app.
- **The minimal design** means there are no exposed screws, while the matt surface is touch friendly. Available in industry standard White RAL9003, and Black RAL9005.

ZONECONTROL

With Hortus IP series amplifiers and our ZoneControllers you can connect, configure, and control any audio system via the ZoneControl web app, and create the most impressive multi-zone sound system in minutes.

ZoneControl is web-based and runs on any device and any platform. It is set-up from your phone, tablet, or PC. Simply connect through any browser to the amplifier's built-in Wi-Fi, or direct via the network port.

ZoneControl has a simple, intuitive interface that first allows access to the basic system set-up, and then to the many advanced configuration and professional tuning

settings. Add a speaker preset in seconds, or save and export your amplifier's customized set-up as a profile that you can restore, use on the next room, or a future project, making system configuration even faster for system integrators.

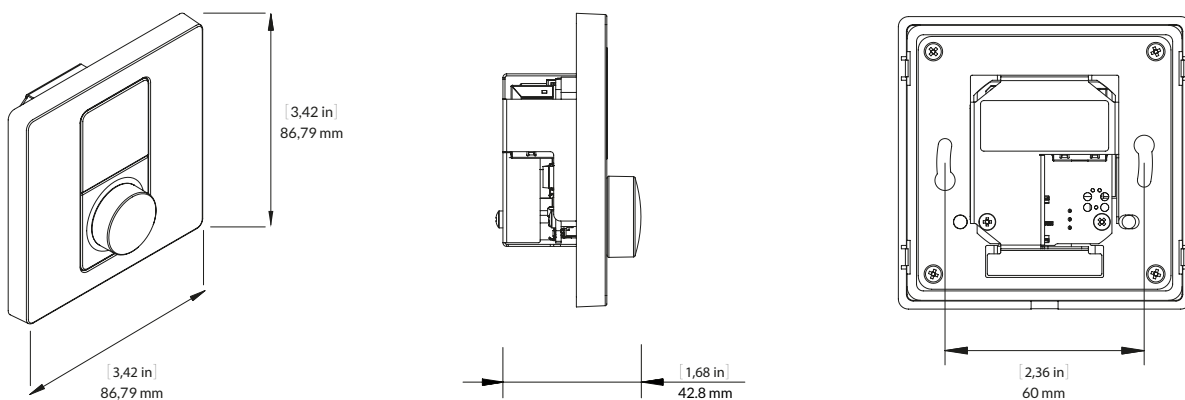
Then take control of the system with the ZoneController networked / PoE wall controller that is easily assigned, managed, and customized. We also have approved custom-made drivers for networking together with other smart controllers and automation systems.

DESIGN & CUSTOMISATION

Minimal Danish design with no exposed screws and fully customisable; with four different display colour schemes, four screen brightness settings, and four settings for the button light.



DIMENSIONS



TECHNICAL SPECIFICATIONS

Model	ZCW	ZCB
Amplifier Compatibility	HORTUS IP Series	
Colour	White (RAL9003)	Black (RAL9005)
External Dimensions (H x W)	86.79 x 86.79 mm (3.42 x 3.42 in)	
External Dimensions, Depth [From rear side of mounting plate to outer side of shield box]	23.7 mm (0.93 in)	
External Dimensions, Depth [From tip of rotary encoder dial to outer side of shield box]	42.8 mm (1.68 in)	
Mounting Holes, Distance (Center to Center)	60 mm (2.36 in)	
Weight	120g (4.2oz.)	
Operating Temperature Range	0-40°C (32-104°F)	
Display Screen Dimension (excluding black border)	27.72 mm x 27.72 mm	
Display Screen Area (excluding black border)	768.4 sq mm	
Display Screen Resolution	240 x 240 pixels	
Display Screen Type	RGB, Transmissive / Normally Black	
Display Screen Material	High gloss polished transparent acrylic	
Exterior & Mechanical Parts Material	Plastic (ABS-PC)	
Base Construction & Shield Material	Pre-galvanized steel	
Power Consumption	PoE Class 1 / 3.84 W max	
Power Supply	Power to the RJ45 ethernet port on the rear of device using a category 5e cable (or faster STP) with the use of a standard PoE switch, or PoE injector	
Standby Modes	6 settings available: 30 secs, 2 mins, 5 mins, 15 mins, 30 mins, 60 mins	
Connection & Data Protocol	RJ45, proprietary over CAT 5e (or faster STP)	
Maximum Cable Length (CAT 5e)	100m (328ft)	
IP Rating	IP 30	
Warranty Period	2 Years	